

Streetworks

DESCRIPTION

The Traditionaire LED outdoor luminaire displays the old-fashioned charm of traditional area lighting, enhancing any setting with distinctive styling. As a decorative luminaire, the Traditionaire LED tastefully complements the architectural and environmental design of parks and roadways. The high-lumen downlight configuration uses Eaton's patented LightBAR™ technology to deliver uniform and efficient illumination to pedestrian and roadway applications.

Catalog #		Type
Project		
Comments		Date
Prepared by		

SPECIFICATION FEATURES

Construction

Hinged (stainless steel hinge pins) die-cast aluminum housing and cover with cupola. 3G vibration tested to ensure strength of construction and longevity in application.

Optics

Choice of six patented, high-efficiency AccuLED Optic™ technology manufactured from injection-molded acrylic. Optics are precisely designed to shape the light output, maximizing efficiency and application spacing. AccuLED Optic technology, creates consistent distributions with the scalability to meet customized application requirements. Offered Standard in 4000K (+/- 275K) CCT and minimum 70 CRI. Optional 3000K CCT, 5000K CCT and 5700K CCT. For the ultimate level of spill

light control, an optional house-side shield accessory can be field or factory installed. The house-side shield is designed to seamlessly integrate with the SL2 or SL3 optics.

Electrical

LED drivers mount to die-cast aluminum back housing for optimal heat sinking, operation efficacy, and prolonged life. Standard drivers feature electronic universal voltage (120-277V 50/60Hz), 347V 60Hz or 480V 60Hz operation, greater than 0.9 power factor, less than 20% harmonic distortion, and is suitable for operation in -40°C to 40°C ambient environments. All fixtures are shipped standard with 10kV/10kA common – and differential – mode surge protection. LightBARs feature an IP66 enclosure rating and

maintain greater than 95% lumen maintenance at 60,000 hours per IESNA TM-21.

Mounting

Self-aligning pole-top fitter for 3" O.D. pole tops or vertical tenons. Square headed 1-1/4" polymer coated mounting bolts with a lock nut.

Finish

Cast components finished in a super durable black TGIC polyester powder coat paint, 2.5 mil nominal thickness for superior protection against fade and wear. Optional colors include: bronze, grey and white. RAL and custom color matches available.

Warranty

Five-year warranty.

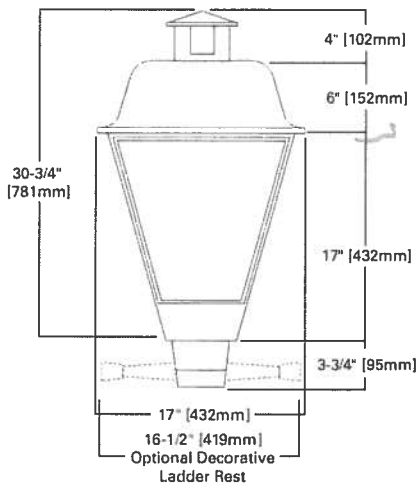


UTLD TRADITIONAIRE LED DOWNLIGHT

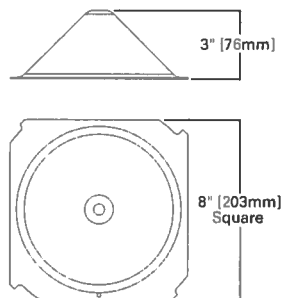
1 - 3 LightBARs
Solid State LED

DECORATIVE POST TOP
LUMINAIRE

DIMENSIONS



OPTIONAL BIRD CONE



CERTIFICATION DATA

UL/cUL Listed
LM79 / LM80 Compliant
3G Vibration Rated
IP66 LightBARs
ISO 9001

ENERGY DATA

Electronic LED Driver
>0.9 Power Factor
<20% Total Harmonic Distortion
120-277V/50 & 60Hz, 347V/60Hz,
480V/60Hz
-40°C Minimum Temperature
40°C Ambient Temperature Rating

EPA

Effective Projected Area: (Sq. Ft.)
2.3

SHIPPING DATA

Approximate Net Weight:
37 lbs. (17 kgs.)

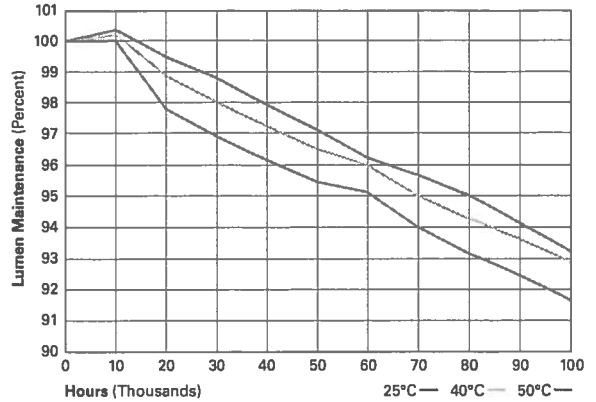
POWER AND LUMENS (STANDARD CONFIGURATION - NO LENSES OR BIRD CONE)

LUMEN MAINTENANCE

LED LightBARS	E01	E02	E03	F01	F02	F03	
Number of LEDs	21 LEDs	21 LEDs	21 LEDs	7 LEDs	7 LEDs	7 LEDs	
Power (Wattage)	25	52	75	26	55	78	
Current @ 120V (A)	0.21	0.43	0.63	0.22	0.46	0.65	
Current @ 277V (A)	0.09	0.19	0.27	0.09	0.20	0.28	
Optics							
T2	Lumens	2,678	5,356	8,033	2,211	4,421	6,632
	BUG Rating	1-0-1	2-0-2	2-0-2	1-0-1	2-0-2	2-0-2
T3	Lumens	2,695	5,391	8,086	2,225	4,450	6,676
	BUG Rating	1-0-1	2-0-2	3-0-3	1-0-1	2-0-2	2-0-2
T4	Lumens	2,637	5,274	7,911	2,177	4,354	6,531
	BUG Rating	1-0-1	1-0-2	1-0-2	1-0-1	1-0-2	1-0-2
SL2	Lumens	2,646	5,292	7,937	2,184	4,368	6,552
	BUG Rating	1-0-1	1-0-2	2-0-2	1-0-1	1-0-1	2-0-2
SL3	Lumens	2,629	5,258	7,886	2,170	4,340	6,510
	BUG Rating	1-0-1	1-0-2	2-0-2	1-0-1	1-0-1	1-0-2
5MQ	Lumens	2,815	5,630	8,445	2,324	4,648	6,972
	BUG Rating	2-0-1	3-0-1	3-0-2	2-0-1	3-0-1	3-0-1
5WQ	Lumens	2,825	5,651	8,476	2,333	4,665	6,997
	BUG Rating	2-0-1	3-0-1	3-0-2	2-0-1	3-0-1	3-0-2

Ambient Temperature	25,000 Hours*	50,000 Hours*	60,000 Hours*	100,000 Hours	Theoretical L70 (Hours)
25°C	> 99%	> 97%	> 96%	> 93%	> 450,000
40°C	> 98%	> 97%	> 96%	> 92%	> 425,000
50°C	> 97%	> 96%	> 95%	> 91%	> 400,000

* Per IESNA TM-21 data.



LUMEN MULTIPLIER

Ambient Temperature	Lumen Multiplier
10°C	1.02
15°C	1.01
25°C	1.00
40°C	0.99
50°C	0.96

ORDERING INFORMATION

Sample Number: UTLD-F03-LED-D-U-T3-4N7

Product Family	Number of LightBARS 1,2	Source Type	Driver	Voltage	Distribution
UTLD=Traditionaire™ LED Downlight	E01=(1) 21 LED LightBAR E02=(2) 21 LED LightBARS E03=(3) 21 LED LightBARS F01=(1) 7 LED LightBAR F02=(2) 7 LED LightBARS F03=(3) 7 LED LightBARS	LED=Solid State Light Emitting Diodes	E=Non-Dimming D=Dimming	U=Universal (120-277V) 8=480V 9=347V	T2=Type II T3=Type III SL2=Type II w/Spill Control SL3=Type III w/Spill Control 5MQ=Type V Square Medium 5WQ=Type V Square Wide
Options (Add as Suffix)				Accessories (Order Separately)	
4=NEMA Photocontrol Receptacle 4N7=NEMA 7-PIN Twistlock Photocontrol Receptacle W=20' #10 Leads S=Snap Latches for Tool-less Light Replacement U=UL/CSA Listed J=Factory Installed Ladder Rest 7030=70 CRI / 3000K CCT 7050=70 CRI / 5000K CCT 7060=70 CRI / 5700K CCT 8030=80 CRI / 3000K CCT 2L=Two Circuits A=Refractive Lens Panels LCF=LightBAR Cover Plate Matches Housing Finish BC=Bird Cone HSS=Factory Installed House Side Shield AP=Grey BZ=Bronze WH=White				TA1BK=Decorative Ladder Rest for Field Installation OA1222=10kV Surge Replacement Module LB/HSS-21=Field Installed House Side Shield for "E" LightBARS LB/HSS-07=Field Installed House Side Shield for "F" LightBARS	

NOTES:

- 21 LED LightBAR driven at 350mA, 7 LED LightBAR driven at 1A.
- Standard 4000K CCT and nominal 70 CRI.
- Must specify 4N7 option.
- Only for use with 480V Wye systems. Per NEC, not for use with ungrounded systems, impedance grounded systems or corner grounded systems (commonly known as Three Phase Three Wire Delta, Three Phase High Leg Delta and Three Phase Corner Grounded Delta systems).
- Only available with dimming drivers.
- Consult factory for lead times and lumen multiplier.
- Low-level output varies by bar count. Consult factory. Requires two or more LightBARS.
- Lens panels and bird cone can not be ordered together.
- Only for use with SL2 and SL3 distributions.
- One required for each LightBAR.

Eaton Lighting Division Photometric Lab
1121 Highway 74 South
Peachtree City, GA 30269



Scaled data based on original data using
LM-79-08: Approved Method: Electrical and Photometric Measurements of Solid-State
Lighting Products

Report Prepared for
Eaton Lighting Division
(formerly Cooper Lighting)

STREETWORKS

Report Number: P157080

Luminaire Tested: **UTLD-E03-LED-E-U-SL3**

Issue Date: 2/20/2015



Test Information

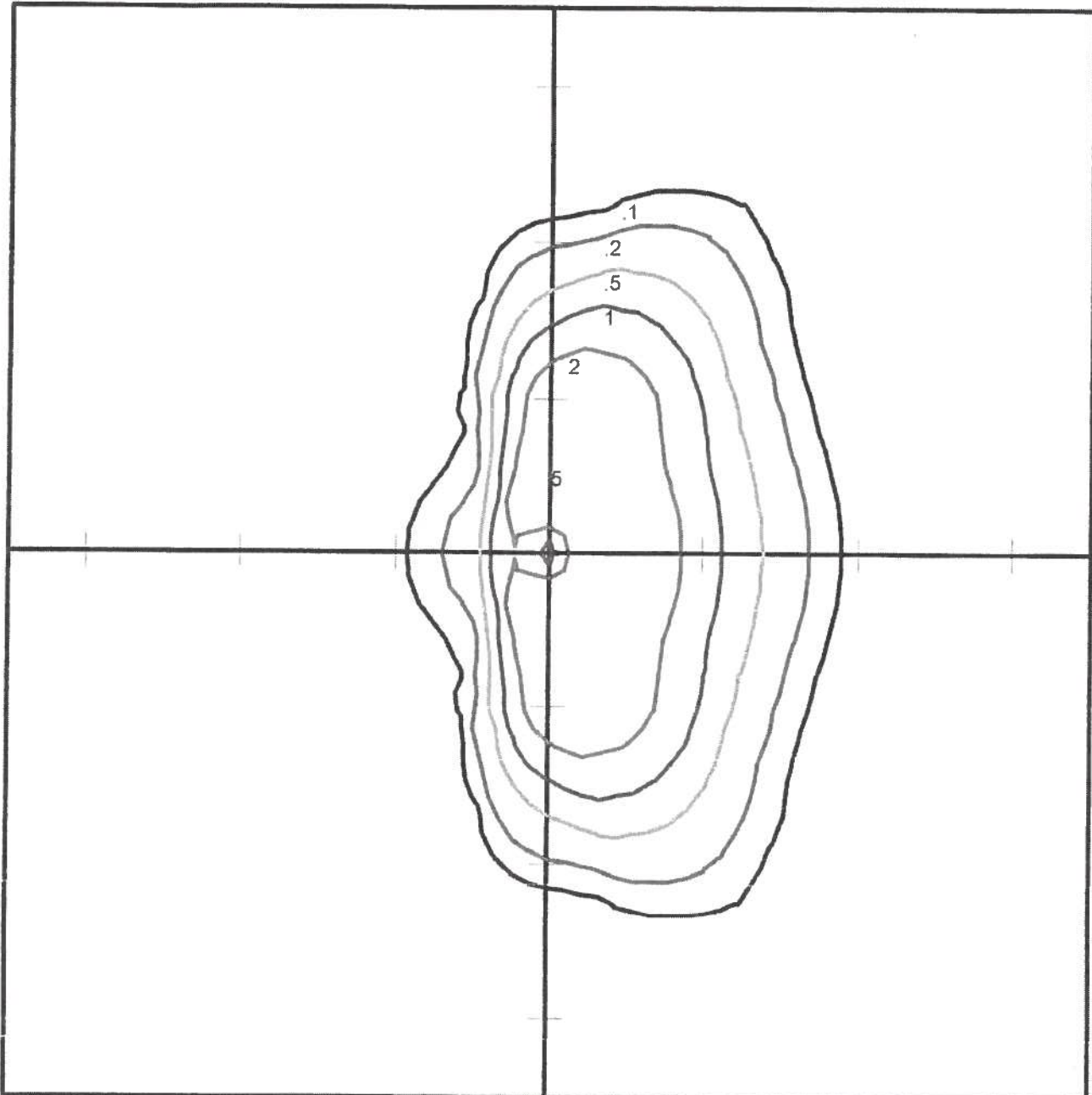
Test Method: LM-79-08
Report Number: P157080
REPORT IS SCALED FROM IESNA LM-79-08 TEST DATA (P33669)
Test Lab: INNOVATIONS CENTER-P3
Issue Date: 2/20/2015
Manufacturer: EATON (FORMERLY COOPER LIGHTING)
Product Line: STREETWORKS
Catalog Number: UTLD-E03-LED-E-U-SL3
Description: TRADITIONAIRE LED DOWNLIGHT LUMINAIRE
(3) LIGHTBARS WITH AccuLED OPTICS - TYPE 3 W/ SPILL LIGHT CONTROL
Light Source: (63) 4000K CCT, 70 CRI LEDs
Ballast/Driver: -

Summary

Lumens per Lamp: N/A
Luminaire Lumens: 7886.3 lumens
Efficiency: N/A
Efficacy: 104.9 lumens/watt
Luminous Opening: Rectangular (W 0.5' x L: 1' x H: 0')
IES Classification: Type III - Short - Semi-Cutoff
BUG Rating: B2 - U0 - G2

Input Watts (W): 75.2

Input Voltage (V): NR
Input Current (A_{in}): NR
Voltage Rise (V): NR
Power Factor: NR
Total Harmonic Distortion (THDi): NR
Frequency (hertz): 60
Stabilization Time: NR
Operation Time: NR
Ambient Temperature (°C): NR
Test Distance: 24 FT



EATON - STREETWORKS (FORMER COOPER LIGHTING)
UTLD-E03-LED-E-U-SL3
TRADITIONAIRE LED DOWNLIGHT LUMINAIRE
(3) LIGHTBARS WITH AccuLED OPTICS - TYPE 3 W/
SPILL LIGHT CONTROL
(63) 4000K CCT, 70 CRI LEDs

Horizontal Footcandles
Scale: 1 Inch = 25 Ft.
Light Loss Factor = 1.00
Lumens Per Lamp = N.A. (absolute photometry)
Luminaire Lumens = 7886
Mounting Height = 14.00 Ft
Maximum Calculated Value = 5.01 Fc
Arrangement: Single